

SQUARE AND HEX MACHINE SCREW NUTS

Lock Fastener Co., LTD.

1-1 Kusuneko Yao-city **Tel 0729-97-9990**
 Osaka Japan 581-0814 **Fax 0729-97-0115**

American Society For Testing and Materials

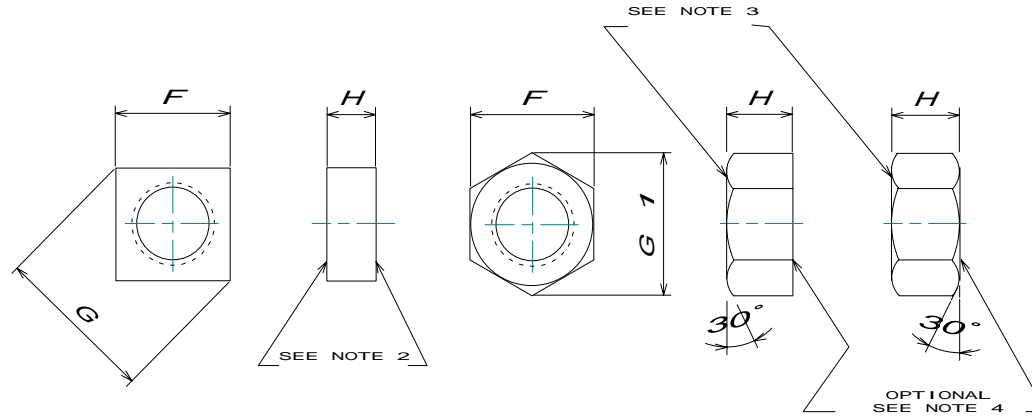
AISI / ASME B18.6.3

INDUSTRIAL FASTENERS INSTITUTE

FASTENER STANDARDS

AISI / ASME B18.6.3

SQUARE AND HEX MACHINE SCREW NUTS



Scale = (mm)

Dimensions of Square and Hex Machine Screw Nuts										
Nominal Size or Basic Thread Diameter	F			G		G1		H		
	Width Across Flats			Width Across Corners				Thickness		
				Square		Hex				
	Basic	Max	Min	Max	Min	Max	Min	Max	Min	
0	1.52	5/32	3.96	3.81	5.61	5.23	4.57	4.34	1.27	1.09
1	1.85	5/32	3.96	3.81	5.61	5.23	4.57	4.34	1.27	1.09
2	2.18	3/16	4.78	4.57	6.73	6.27	5.51	5.21	1.68	1.45
3	2.51	3/16	4.78	4.57	6.73	6.27	5.51	5.21	1.68	1.45
4	2.84	1/4	6.35	6.12	8.99	8.41	7.34	6.99	2.49	2.21
5	3.18	5/16	7.92	7.67	11.23	10.54	9.17	8.74	2.9	2.59
6	3.51	5/16	7.92	7.67	11.23	10.54	9.17	8.74	2.9	2.59
8	4.17	11/32	8.74	8.43	12.34	11.58	10.08	9.6	3.3	2.97
10	4.83	3/8	9.53	9.19	13.46	12.62	11	10.49	3.3	2.97
12	5.49	7/16	11.13	10.74	15.72	14.76	12.83	12.24	4.09	3.76
1/4	6.35	7/16	11.13	10.74	15.72	14.76	12.83	12.24	4.9	4.52
5/16	7.94	9/16	14.27	13.84	20.19	19	16.51	15.77	5.72	5.28
3/8	9.53	5/8	15.88	15.42	22.45	21.16	18.34	17.58	6.53	6.07